

PRORIL

60 Hz

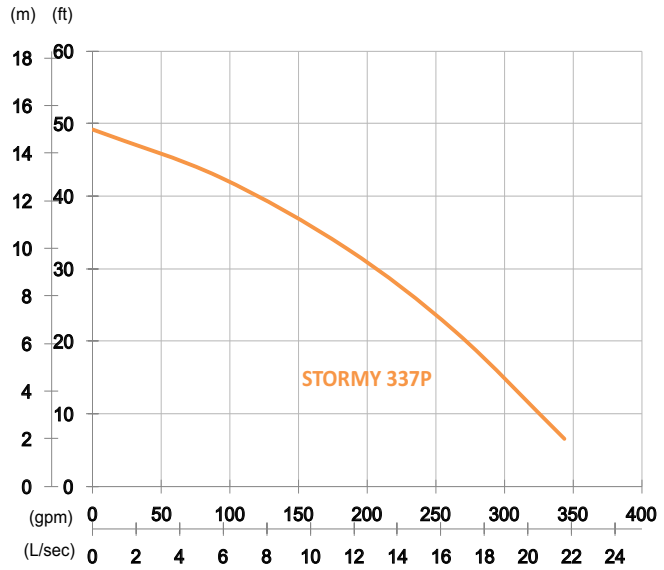
Serving a wide range of slurry transport applications, STORMY-P series pumps are designed for long wear life, low energy consumption, excellent performance, and easy maintenance. With patented ACrS Tech and rugged construction, these abrasion and corrosion resistant slurry pumps provide economical solutions for challenging slurry transportation.

Slurry and Sand Pump

STORMY 337P

Open Stand and Agitator Pump



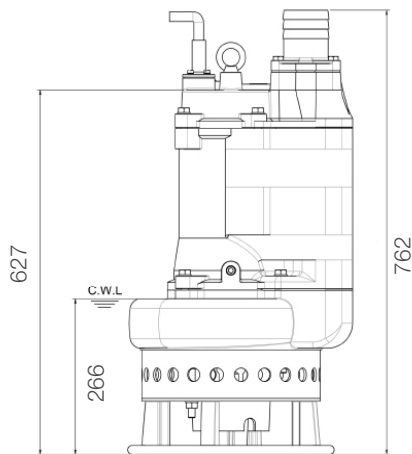
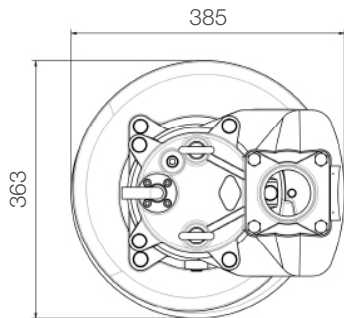


Shaft Speed : 1750 rpm

Outlet : 80mm, 3in

| OUTPUT | HEAD | FLOW |
|--------|-------------------|---------------------------|
| 3.7 kW | Rated : 10m, 33ft | Rated : 11.7 L/s, 185 gpm |
| 5 HP | Max : 15m, 49ft | Max : 21.7 L/s, 343 gpm |

Solid Passage : 25mm, 1in



unit : mm

Weight : 110kg / 243 lbs

| | | |
|-------------------------|-------------|-------------------------------------|
| Pump Type | | Electric Submersible Pumps |
| | | 3-Phase |
| Motor | Type | Induction Motor |
| | Poles | 4 Pole |
| | Insulation | Class F |
| | Protector | Circle Thermal Protector |
| | Starter | D.O.L. |
| Lubricant | | Food Grade (ISO VG32) |
| Impeller Type | | Opened |
| Shaft Seal | | Double Mechanical Seal |
| | | Silicon Carbide VS Ceramic / Carbon |
| Bearings | | C3 Shielded ball bearings |
| Cable | | PVC (CSA Certified) / H07BQ-F |
| | | 10m (33ft) or longer upon request. |
| Materials | Pump Casing | Ductile Iron |
| | Impeller | Chromium Iron |
| | Motor Frame | Gray Iron |
| | Motor Shaft | Stainless Steel |
| | Wear Plate | Chromium Iron |
| | Agitator | Chromium Iron |
| Max. Liquid Temperature | | 40°C (104°F) |
| Max. Submersion Depth | | 20m (66ft) |
| pH Range | | pH 5 - pH 8 |